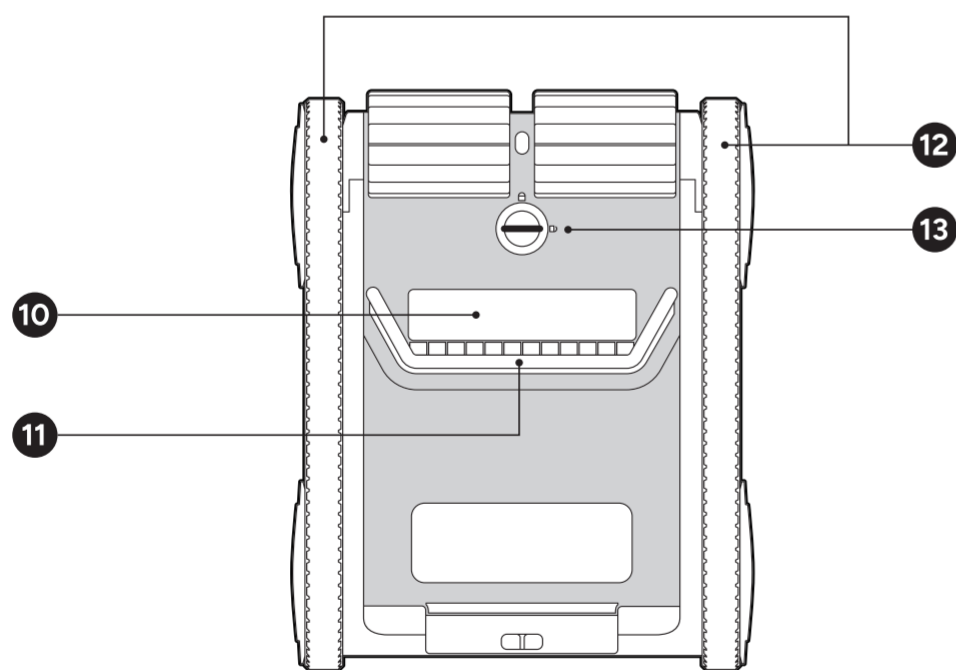
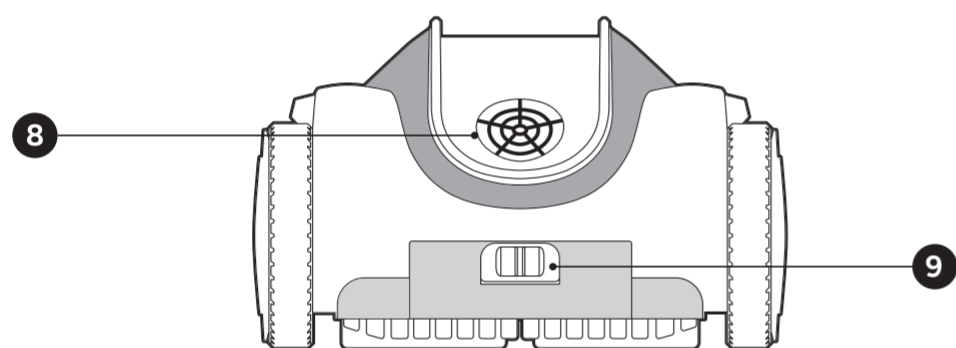
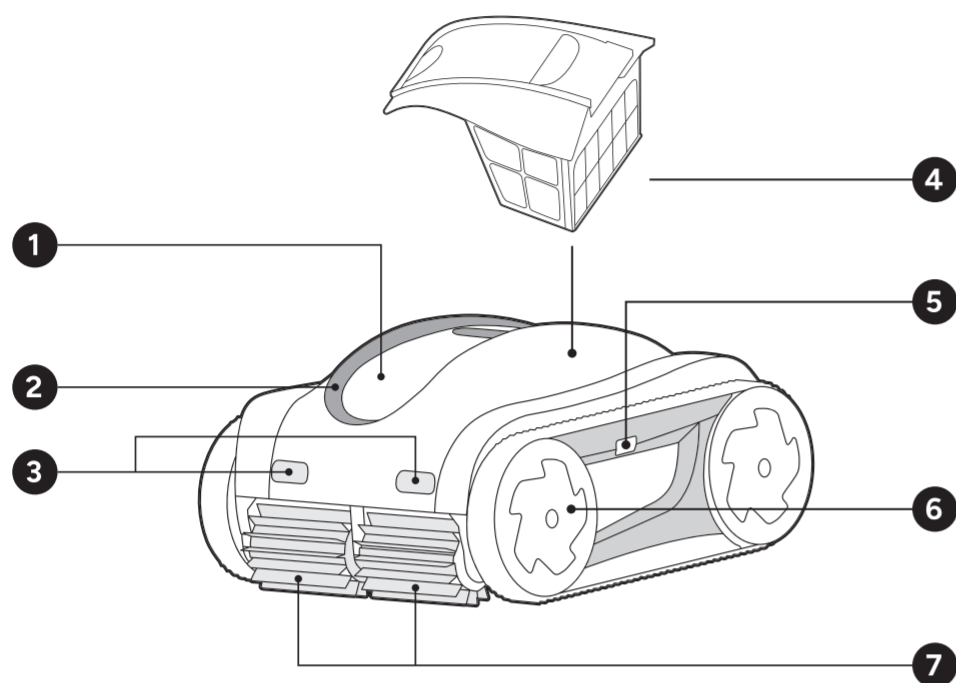
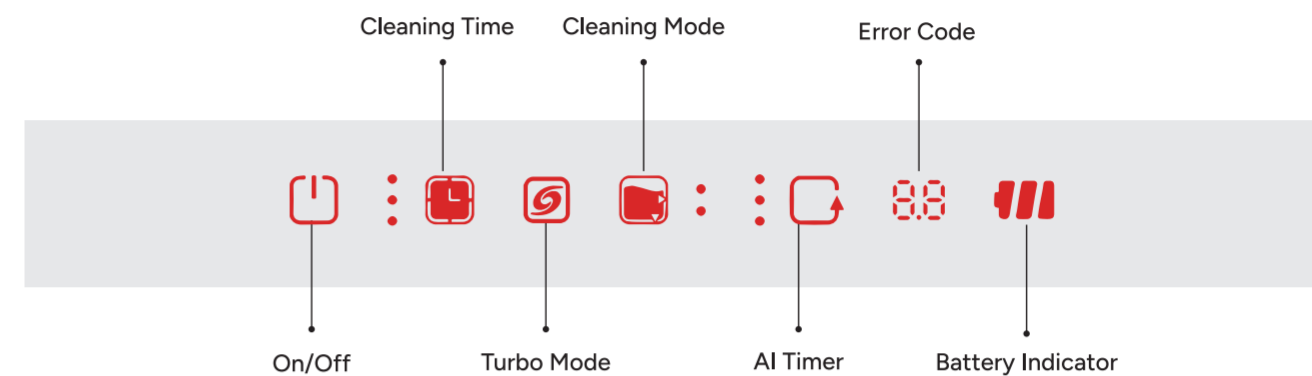


1. Product Overview



- 1 Control Panel
- 2 Handle
- 3 Front Infrared Sensor
- 4 Filter Basket
- 5 Side Infrared Sensor
- 6 Water Sensor
- 7 Brush
- 8 Water Outlet
- 9 Charging Port
- 10 Suction Port
- 11 Scraper
- 12 Track
- 13 Power Switch

2. Control Panel



Control Panel	Meaning	Operation
On/Off	Wake/Sleep • Confirm	Hold 3 s to Power On/Off; Tap to Confirm
Time	1 h / 1.5 h / 2 h / Max Run	1/2/3 LEDs or Off = Select Cycle Length
Turbo	High-Power Boost	LED On = Turbo; Off = Standard
Mode	Bottom/Top LED On / Off *Both LEDs On *Both LEDs Off	Floor Only / Wall Only *Wall & Waterline first, then Floor *Full Coverage
AI Timer	24 h / 48 h / 72 h / Off	LED Count = Scheduled Clean Interval
Error	E1–E6 Fault Codes	See Troubleshooting
Battery	20–100 % / < 20 %	Green/Red LED = Charge Level

* Important Cleaning Modes Explained

Wall & Waterline first, then Floor

Recommended for most cleaning needs; does not clean tanning ledges or other shallow areas.

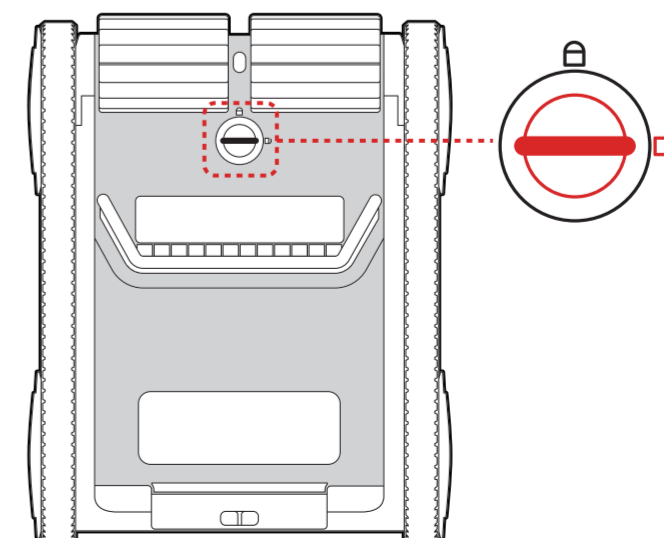
Full Coverage

Cleans Floor → Wall → Waterline to cover all areas (includes tanning ledges); may use more power than Wall & Waterline first, then Floor.

3. Power On & Charge

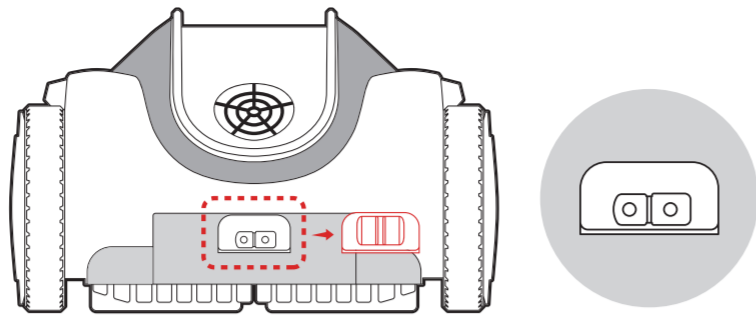
Power On

Flip the bottom switch to **ON**.



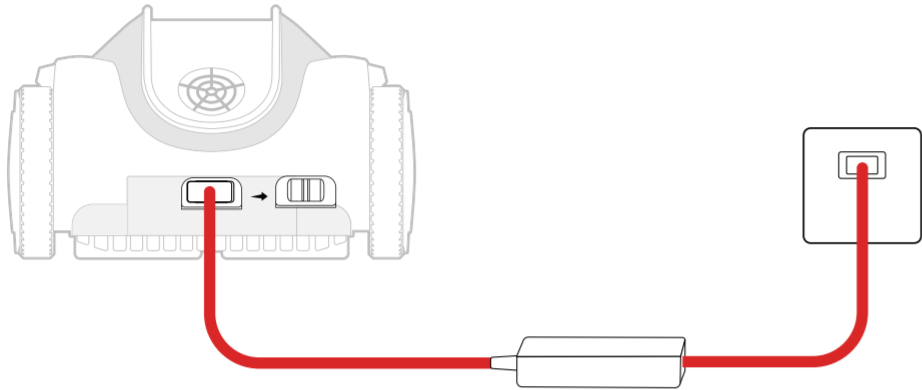
Charge

1. Open the charging port cover.

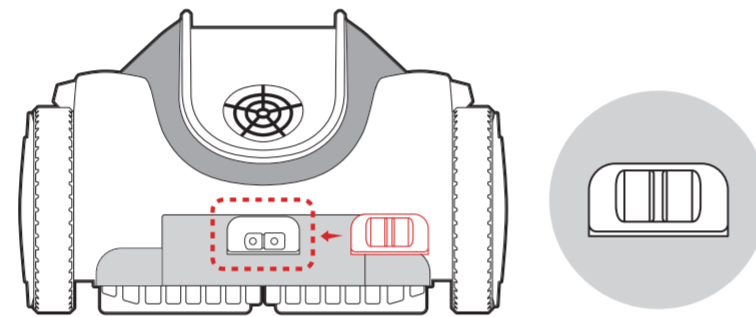


2. Plug in the supplied charger to 100–240 VAC.

3. Three green LEDs solid = fully charged.



4. Disconnect and close the cover.



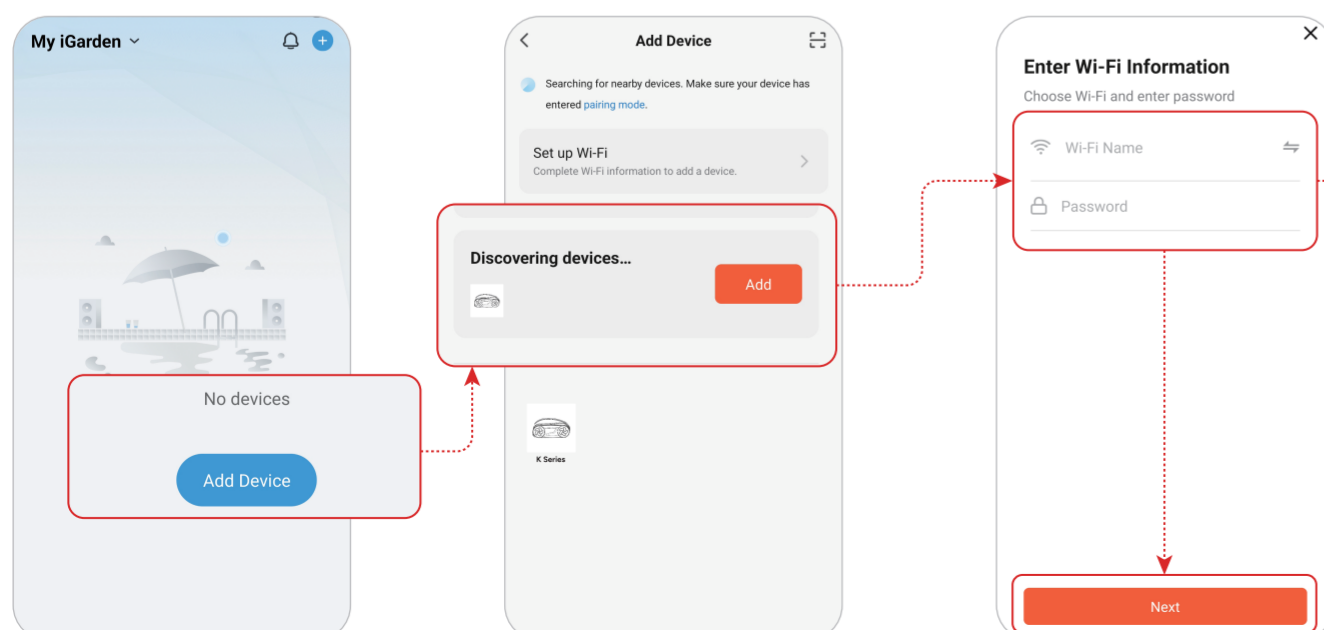
4. App Pairing

1. Enable Bluetooth & 2.4 GHz Wi-Fi on your phone.

2. Hold for 3 s until you hear a beep and the LED flashes.

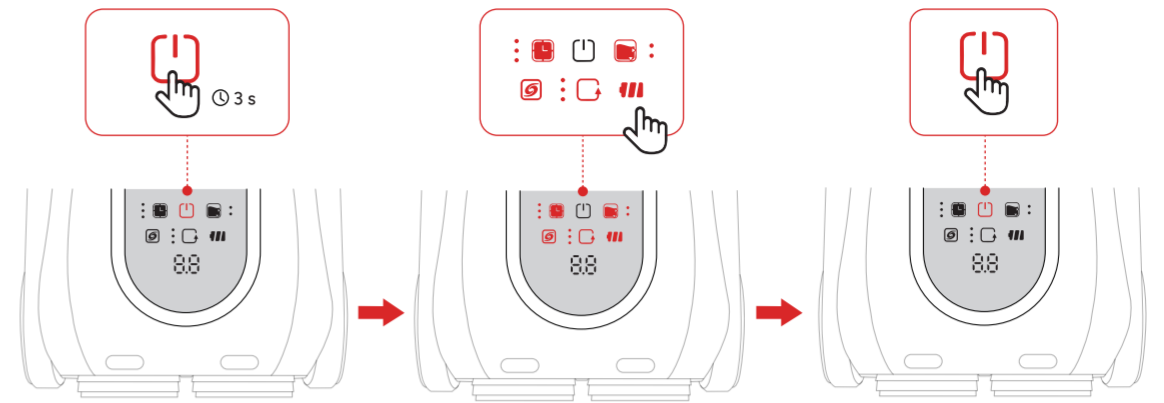
3. Launch the iGarden Robotics app → Add Device → Follow prompts.

4. Set cycle, mode, turbo & schedule right from the app.



5. Deploy & Start

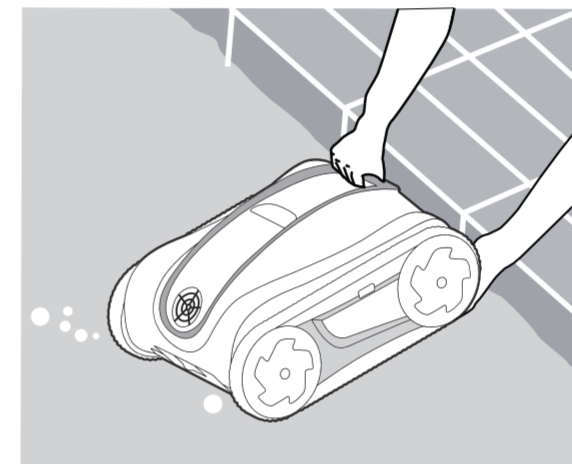
1. Go: Hold ON/OFF for 3 s. LEDs flash—set options—tap again to start.



Note: Control panel on—no ON/OFF hold.
Only hold ON/OFF if control panel is off.

2. Place the cleaner in water within 3 minutes of power-on.

3. Gently rotate to release trapped air.



Warnings

- Do not swim during operation.
- Charge only with the supplied adapter & battery.

Support

✉ support@igarden.ai (AU & US) support.eu@igarden.ai (EU)

🌐 www.igarden.ai

See the full guide inside the box for detailed instructions.

